

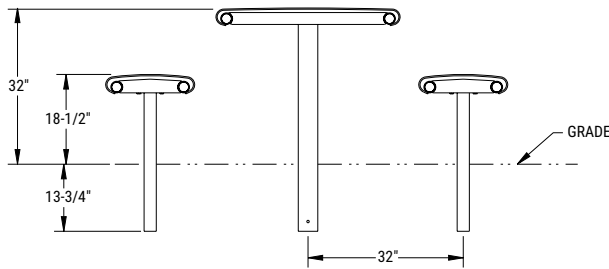


## Plaza Picnic

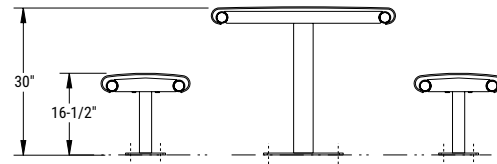
Classic, durable picnic tables available in several configurations, including 37" square top tables or 6' to 8' rectangular tables. Each table or bench is fabricated with 1/4" x 1-1/2" welded steel straps, complementary to matching Plaza benches, Plaza trash receptacles, and recyclers.

# Plaza Square Picnic Tables

- Classic, comfortable, and durable picnic tables, with strong steel tube framework
- Available with surface or embed mountings
- Square 37-1/2" table tops
- Two and three seat ADA style options
- Matching benches, trash receptacles, and recyclers available



Embed Mount - ADA Height



Surface Mount - Standard Height

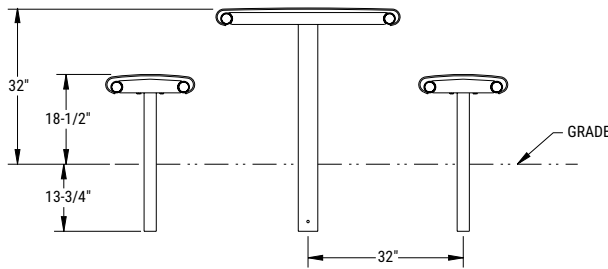
For permanent embed; depth and diameter of installation holes may vary with soil conditions. Consult project engineer for correct dimensions. Plaza Collection Wheelchair Accessible table seats and tables are 2" taller than standard versions. 30" seats are 18-1/2"H, 36" tables are 32"H.

PRODUCT	DESCRIPTION	LENGTH	WIDTH	HEIGHT	WEIGHT LBS.	MOUNTING
PZ-0400-30	Backless Bench (each), 30"L, FW part no. F-7	30"	18-1/2"	16-1/2"	81	Surface-Mount
PZ-0400-30A	Backless Bench, ADA Wheelchair Accessible (each), 30"L	30"	18-1/2"	18-1/2"	83	Surface-Mount
PZ-0420-30	Backless Bench (each), 30"L	30"	18-1/2"	16-1/2"	84	Permanent Embed
PZ-0420-30A	Backless Bench, ADA Wheelchair Accessible (each), 30"L	30"	18-1/2"	18-1/2"	86	Permanent Embed
PZ-1000-3636	Steel Strap Table, 36" Sq., FW part no. F-7	37-1/2"	37-1/2"	30"	213	Surface-Mount
PZ-1000-3636A	Steel Strap Table, ADA compatible, 36" Sq.	37-1/2"	40"	32"	223	Surface-Mount
PZ-1020-3636	Steel Strap Table, 36" Sq.	37-1/2"	37-1/2"	30"	193	Permanent Embed
PZ-1020-3636A	Steel Strap Table, ADA compatible, 36" Sq.	37-1/2"	40"	32"	203	Permanent Embed

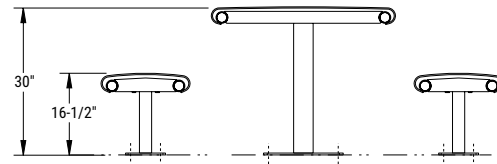


# Plaza 72" Picnic Tables

- Classic, comfortable, and durable picnic tables, with strong steel tube framework
- Available with surface or embed mountings
- Rectangular sizes from 72" to 96"
- Standard and ADA style height options
- Matching benches, trash receptacles, and recyclers available



Embed Mount - ADA Height



Surface Mount - Standard Height

For permanent embed; depth and diameter of installation holes may vary with soil conditions. Consult project engineer for correct dimensions. Plaza Collection Wheelchair Accessible table seats and tables are 2" taller than standard versions. 72" benches are 18-1/2"H, 72" tables are 32"H.

PRODUCT	DESCRIPTION	LENGTH	WIDTH	HEIGHT	WEIGHT LBS.	MOUNTING
PZ-0400-72A	Backless Bench, ADA compatible Plaza Table, 6', FW part no. F-8	72-1/4"	37-3/4"	18-1/2"	198	Surface-Mount
PZ-0400-72T	Backless Bench, for use with Plaza Table, 6'	72-1/4"	37-3/4"	16-1/2"	188	Surface-Mount
PZ-0420-72A	Backless Bench, for use with ADA compatible Plaza Table, 6'	72-1/4"	37-3/4"	18-1/2"	200	Permanent Embed
PZ-0420-72T	Backless Bench, for use with Plaza Table, 6'	72-1/4"	37-3/4"	16-1/2"	190	Permanent Embed
PZ-1000-7238	Rectangular Steel Table, 72"L x 38"W, FW part no. F-8	72-1/4"	37-3/4"	30"	334	Surface-Mount
PZ-1020-7238	Rectangular Steel Table, 72"L x 38"W	72-1/4"	37-3/4"	30"	338	Permanent Embed

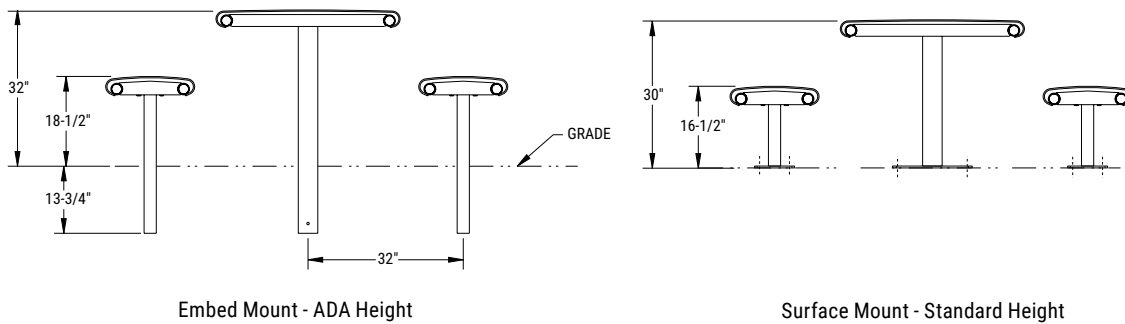


# Plaza 96" Picnic Tables

- Classic, comfortable, and durable picnic tables, with strong steel tube framework
- Available with surface or embed mountings
- Rectangular sizes from 72" to 96"
- Standard and ADA style height options
- Matching benches, trash receptacles, and recyclers available



72" table and benches shown



Embed Mount - ADA Height

Surface Mount - Standard Height

For permanent embed; depth and diameter of installation holes may vary with soil conditions. Consult project engineer for correct dimensions. Plaza Collection Wheelchair Accessible table seats and tables are 2" taller than standard versions. 96" benches are 18-1/2"H, 96" tables are 32"H.

PRODUCT	DESCRIPTION	LENGTH	WIDTH	HEIGHT	WEIGHT LBS.	MOUNTING
PZ-0400-96T	Backless Bench, for use with Plaza Table, 8', FW part no. F-8	95"	18-1/4"	18-1/2"	226	Surface-Mount
PZ-0420-96T	Backless Bench, for use with Plaza Table, 8'	95"	18-1/4"	18-1/2"	238	Permanent Embed
PZ-1000-9638	Rectangular Steel Table, 96"L x 38" W, FW part no. F-8	95"	37-3/4"	30"	405	Surface-Mount
PZ-1000-9638A	Rectangular ADA Steel Table, 96"L x 38" W, use with 72" Bench	95"	37-3/4"	32"	415	Surface-Mount
PZ-1020-9638	Rectangular Steel Table, 96"L x 38" W	95"	37-3/4"	30"	409	Permanent Embed
PZ-1020-9638A	Rectangular ADA Steel Table, 96"L x 38" W, use with 72" Bench	95"	37-3/4"	32"	419	Permanent Embed

